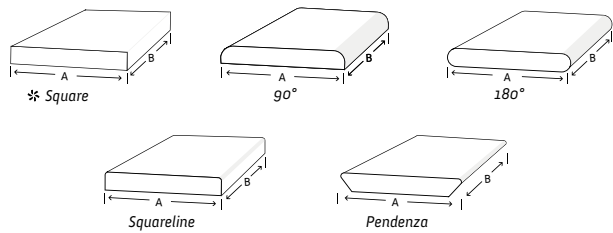


BILLING ADDRESS *Check to ship to this address*

		COMPANY NAME	
		COMPANY ADDRESS	
		CITY PROV. OR STATE	
		POSTAL / ZIP COUNTRY	
		PHONE	FAX
		EMAIL	CONTACT

JOB NAME / PAYMENT DETAILS / PO#

FULLWRAP PROFILES



DIMENSION A - DISTANCE BETWEEN POST FORMED EDGES
DIMENSION B - DISTANCE BETWEEN CUT EDGES
 * **SQUARE DOORS - DIMENSION A IS WIDTH, DIMENSION B IS HEIGHT**

ORDER DETAILS *Choose up to 3 Product types and their design details. Fill in another form if you need more.*

<p>PRODUCT TYPE(S):</p> <table border="1" style="width: 100%; border-collapse: collapse;"> <tr><td style="width: 20px;">A</td><td style="height: 20px;"></td></tr> <tr><td>B</td><td style="height: 20px;"></td></tr> <tr><td>C</td><td style="height: 20px;"></td></tr> </table> <p>CORE:</p> <table border="1" style="width: 100%; border-collapse: collapse;"> <tr><td style="width: 20px;">A</td><td style="width: 50px;"></td></tr> <tr><td>B</td><td style="width: 50px;"></td></tr> <tr><td>C</td><td style="width: 50px;"></td></tr> </table> <p>EDGE TAPE:</p> <table border="1" style="width: 100%; border-collapse: collapse;"> <tr><td style="width: 20px;">A</td><td style="width: 50px;"></td></tr> <tr><td>B</td><td style="width: 50px;"></td></tr> <tr><td>C</td><td style="width: 50px;"></td></tr> </table>	A		B		C		A		B		C		A		B		C		<p>BRAND:</p> <table border="1" style="width: 100%; border-collapse: collapse;"> <tr><td style="width: 20px;">A</td><td style="height: 20px;"></td></tr> <tr><td>B</td><td style="height: 20px;"></td></tr> <tr><td>C</td><td style="height: 20px;"></td></tr> </table> <p>GRAIN DIRECTION:</p> <table border="1" style="width: 100%; border-collapse: collapse;"> <tr><td style="width: 20px;">A</td><td style="width: 40px;">Vertical</td><td style="width: 40px;">Horizontal</td></tr> <tr><td>B</td><td>Vertical</td><td>Horizontal</td></tr> <tr><td>C</td><td>Vertical</td><td>Horizontal</td></tr> </table>	A		B		C		A	Vertical	Horizontal	B	Vertical	Horizontal	C	Vertical	Horizontal	<p>FACE MATERIAL:</p> <table border="1" style="width: 100%; border-collapse: collapse;"> <tr><td style="width: 20px;">A</td><td style="height: 20px;"></td></tr> <tr><td>B</td><td style="height: 20px;"></td></tr> <tr><td>C</td><td style="height: 20px;"></td></tr> </table> <p>BACK MATERIAL:</p> <table border="1" style="width: 100%; border-collapse: collapse;"> <tr><td style="width: 20px;">A</td><td style="height: 20px;"></td></tr> <tr><td>B</td><td style="height: 20px;"></td></tr> <tr><td>C</td><td style="height: 20px;"></td></tr> </table>	A		B		C		A		B		C	
A																																															
B																																															
C																																															
A																																															
B																																															
C																																															
A																																															
B																																															
C																																															
A																																															
B																																															
C																																															
A	Vertical	Horizontal																																													
B	Vertical	Horizontal																																													
C	Vertical	Horizontal																																													
A																																															
B																																															
C																																															
A																																															
B																																															
C																																															

For the 'LTR' column, select corresponding letter A, B or C. Fill in the remaining columns for sizing and quantity requirements.

	LTR	DIMENSION A <small>ROLL TO ROLL</small>	DIMENSION B <small>CUT SIZE</small>	QTY
1				
2				
3				
4				
5				
6				
7				
8				
9				
10				
11				
12				
13				
14				
15				
16				
17				
18				
19				
20				
21				
22				
23				
24				
25				
26				
27				
28				
29				
30				
31				
32				
33				
34				
35				
36				
37				
38				
39				
40				
41				
42				
43				
44				
45				

SPECIAL DETAILS AND INSTRUCTIONS